

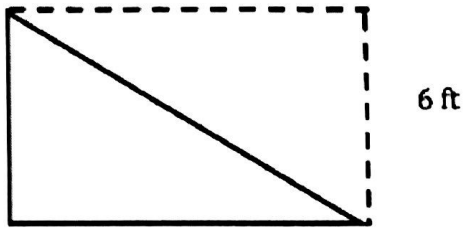
End of Unit 1 Assessment Study Guide

6.G.1

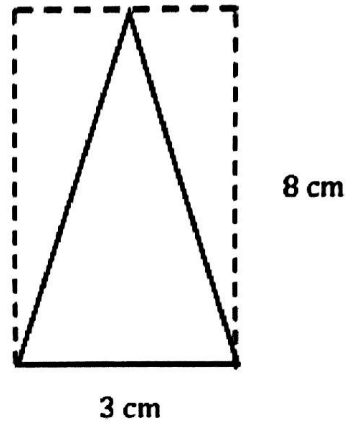
Use the dimensions of each rectangle to find the area of each triangle.

Do not use the **Area of a Triangle** formula (use it only to check your work).

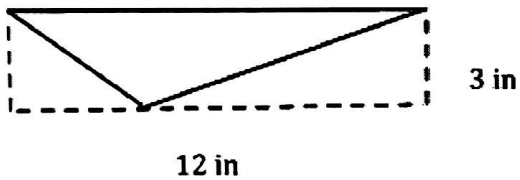
1. 10 ft



2.

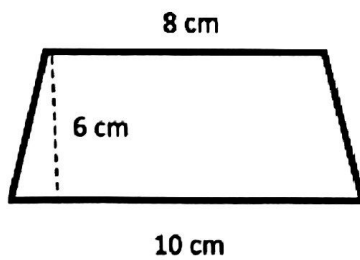


3.

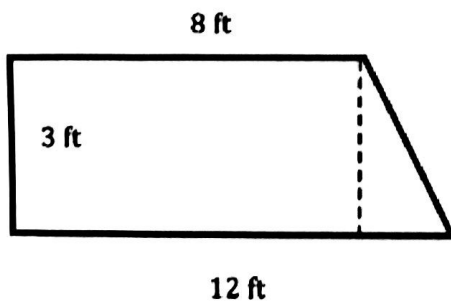


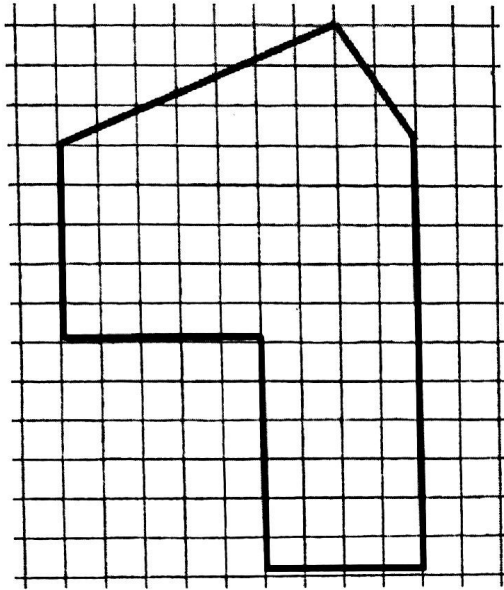
Use strategies of composing and decomposing shapes into parallelograms, rectangles, and triangles to find the area of the following shapes.

4.



5.





A sketch of Sarah's backyard is shown to the left. Sarah's dog needs 100 square meters to play.

6. Only use the area of rectangles to find the area of Sarah's backyard. Show how you decomposed and/or composed.

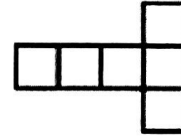
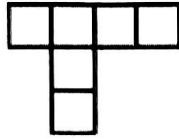
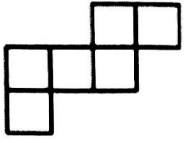
1 square = 1 square meter

7. Does Sarah's dog have enough room to play?

8. Explain.

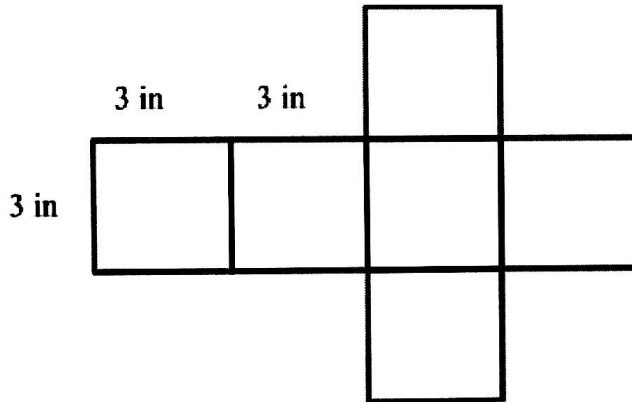
6.G.4

1. Circle all of the following figures that can be folded to make a cube?

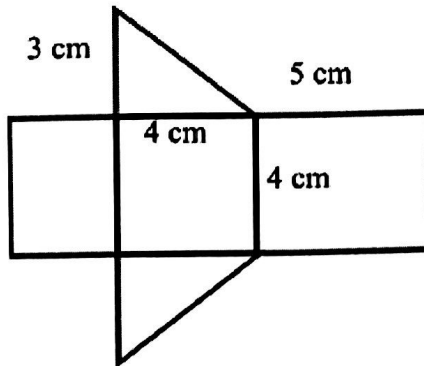


2. Draw a different net from your answer in question 1 that can be folded to make a cube.

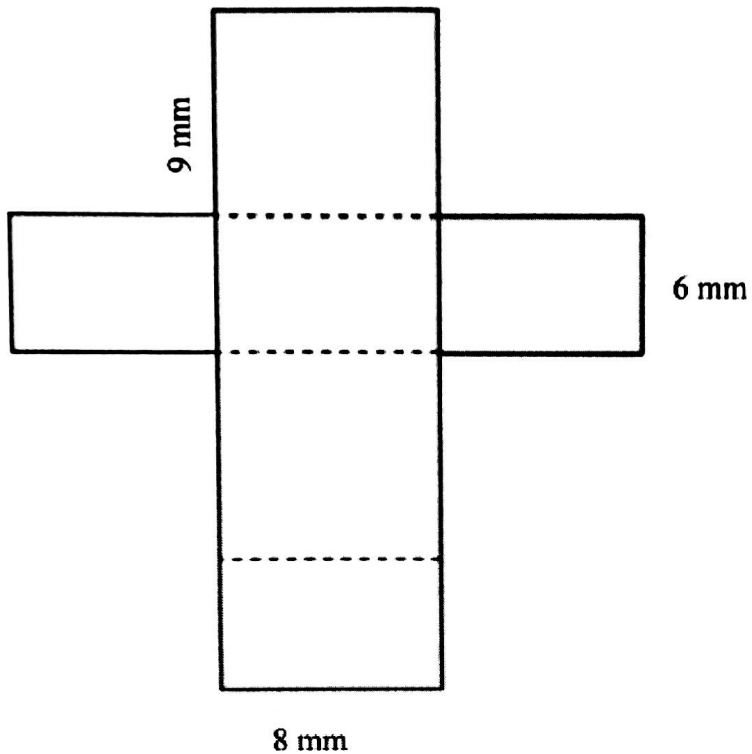
3. Find the surface area of the flat pattern below.



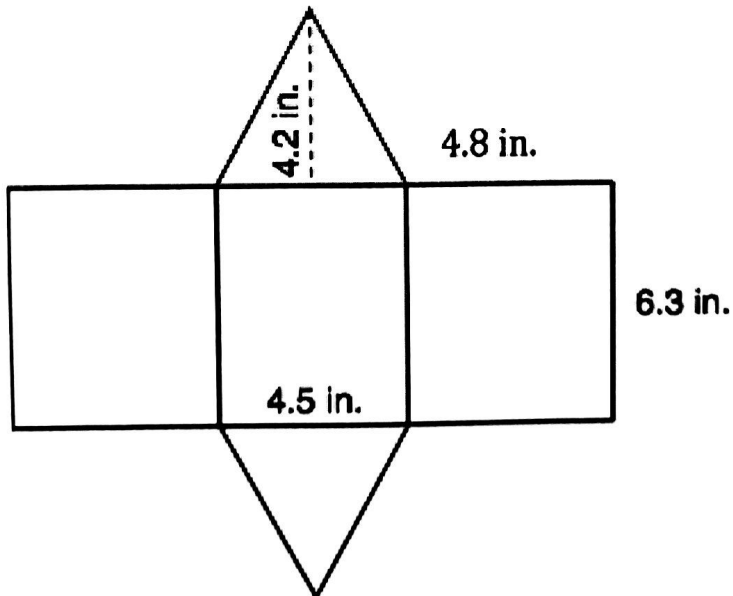
4. Find the surface area of the flat pattern below.



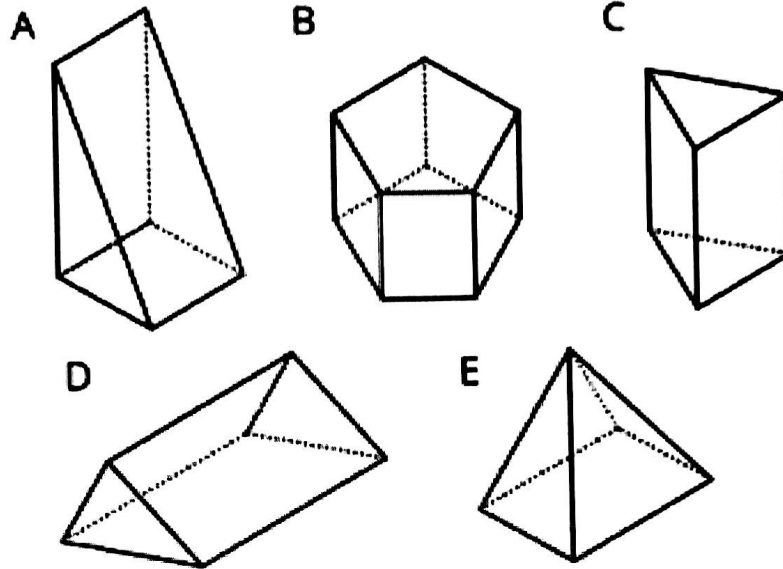
5. You are painting a box for your friend's birthday. Use the dimensions below to determine how much paint you will need?



6. How much sheeting will David need to cover the figure below?



1. Which figure is a triangular prism? Select all that apply.



2. A cube has a side length of 6 inches.

Select **all** the values that represent the cube's volume in cubic inches.

- A. 6^3
- B. 6^2
- C. 6×6^3
- D. $6 \times 6 \times 6$
- E. 6×6

3.

A square is 3 inches by 3 inches. What is its area?

A square has a side length of 5 feet. What is its area?

The area of a square is 36 square centimeters. What is the length of each side of the square?

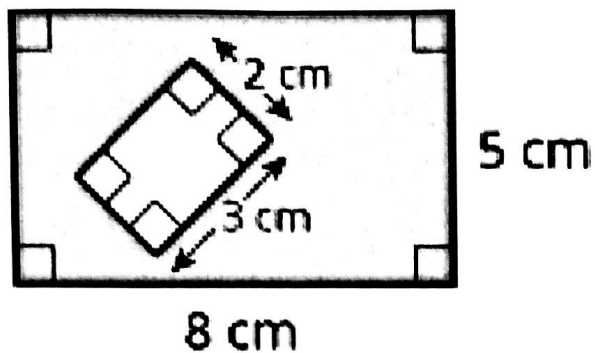
4. For each pair of numbers circle the number that is greater. Show or explain your reasoning.

$$10^2 \text{ or } 2^{10}$$

$$6 \times 10^2 \text{ or } 6^2 \times 10$$

$$12^3 \text{ or } 14^3$$

5. Find the area of the shaded region. Show or explain your reasoning.



6. A rectangular prism has dimensions of 4 cm by 2 cm by 4 cm. What is its surface area? Explain or show your reasoning.

