

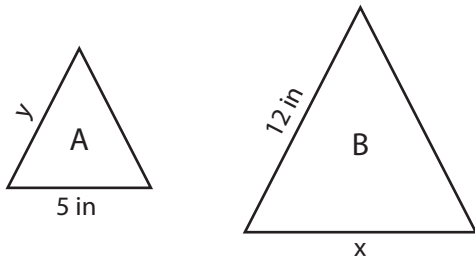
Name : \_\_\_\_\_

## Scale Factor - Finding Sides

L1S1

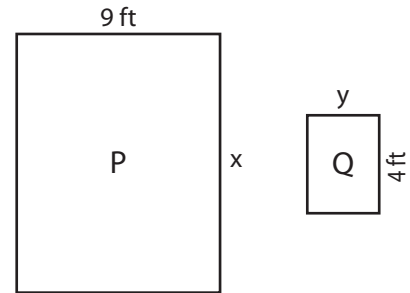
Find x and y.

- 1) Scale factor of A to B is 1 : 2



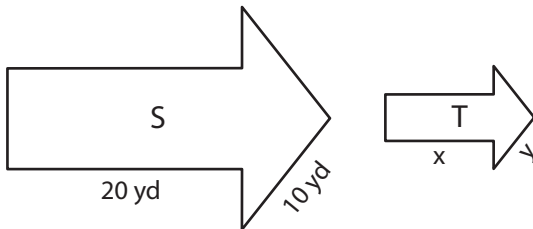
x = \_\_\_\_\_ ; y = \_\_\_\_\_

- 2) Scale factor of Q to P is 1 : 3



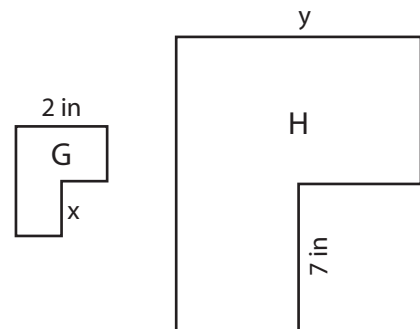
x = \_\_\_\_\_ ; y = \_\_\_\_\_

- 3) Scale factor of S to T is 4 : 1



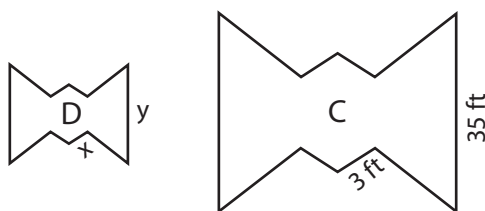
x = \_\_\_\_\_ ; y = \_\_\_\_\_

- 4) Scale factor of G to H is 1 : 7



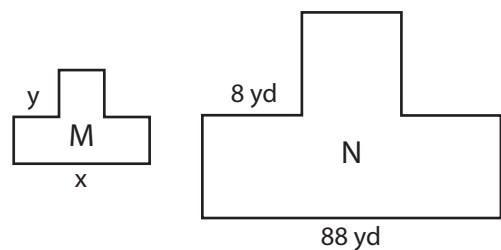
x = \_\_\_\_\_ ; y = \_\_\_\_\_

- 5) Scale factor of C to D is 5 : 1



x = \_\_\_\_\_ ; y = \_\_\_\_\_

- 6) Scale factor of N to M is 8 : 1



x = \_\_\_\_\_ ; y = \_\_\_\_\_

Name : \_\_\_\_\_

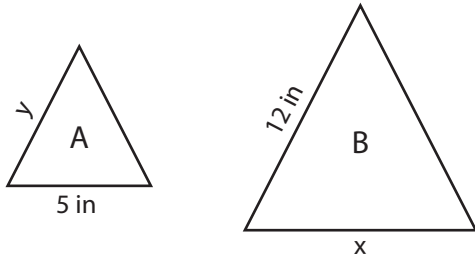
## Answer key

### Scale Factor - Finding Sides

L1S1

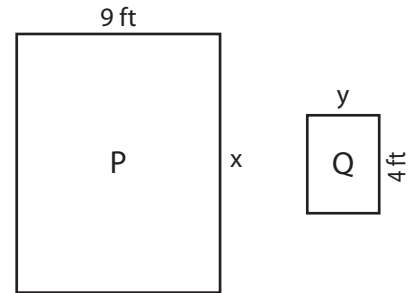
Find x and y.

- 1) Scale factor of A to B is 1 : 2



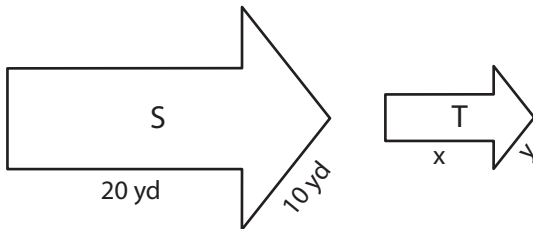
x = 10 in ; y = 6 in

- 2) Scale factor of Q to P is 1 : 3



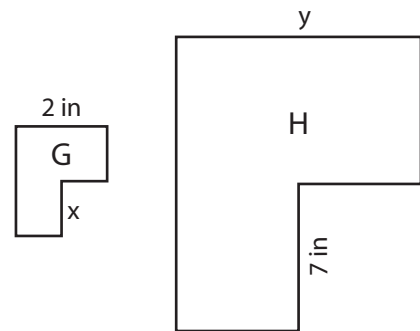
x = 12 ft ; y = 3 ft

- 3) Scale factor of S to T is 4 : 1



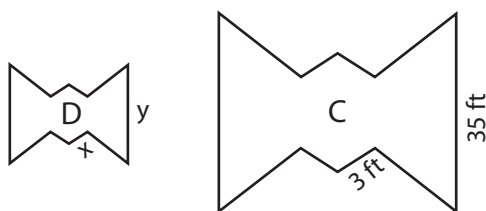
x = 5 yd ; y = 2.5 yd

- 4) Scale factor of G to H is 1 : 7



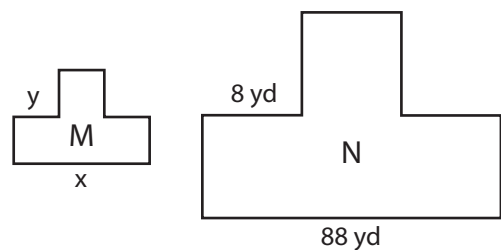
x = 1 in ; y = 14 in

- 5) Scale factor of C to D is 5 : 1



x = 0.6 ft ; y = 7 ft

- 6) Scale factor of N to M is 8 : 1



x = 11 yd ; y = 1 yd